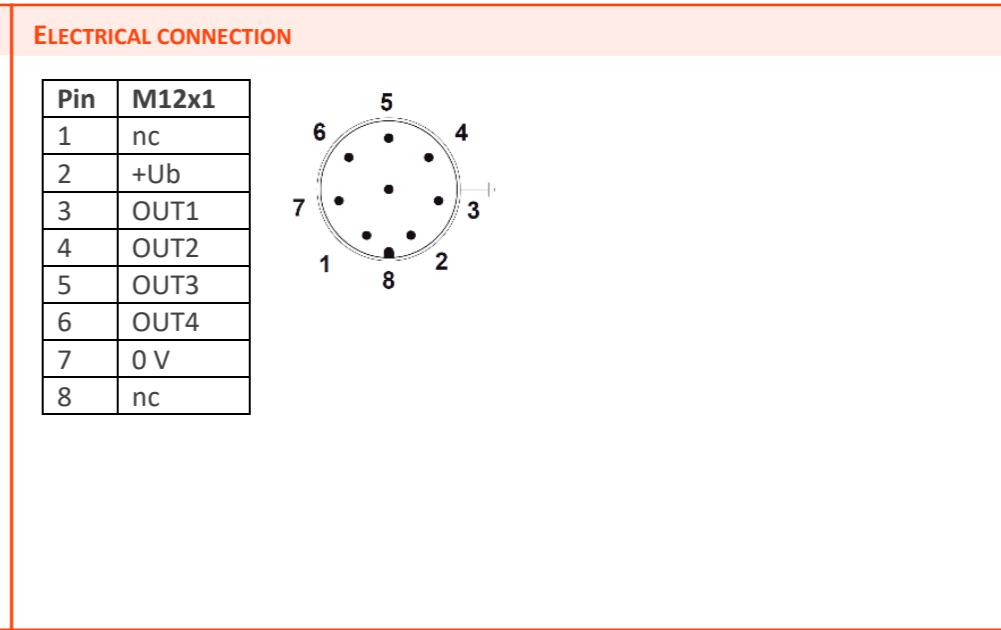
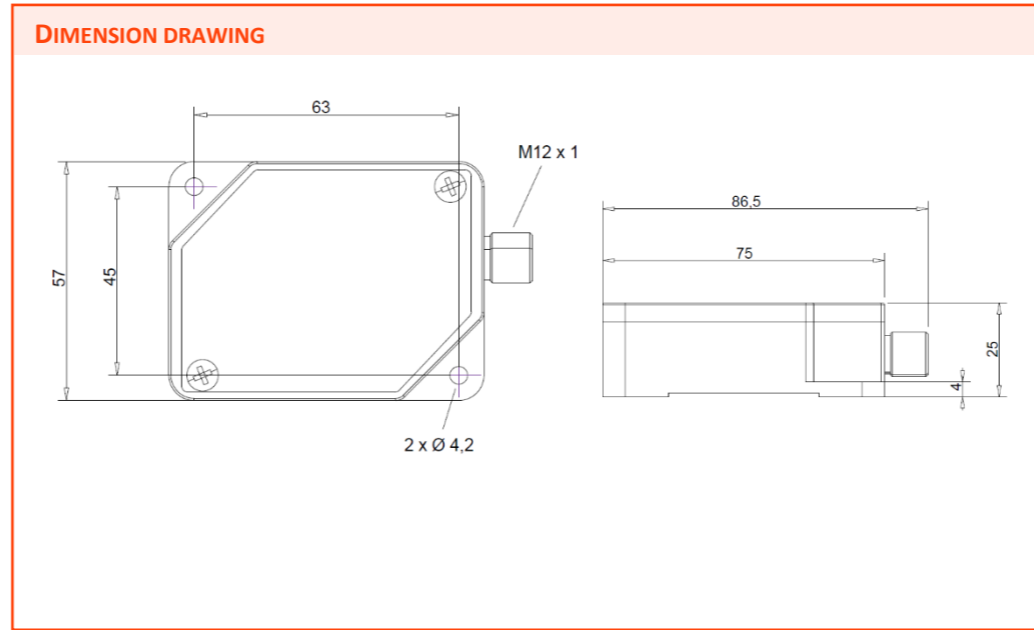


DATA SHEET | ENGLISH



General data

Display: 1 status LED each output (red); 4 cross line LED`s (green); 3 digit LED Display (programming support and angle display)

Setting options: Switch / reset point (0...100%); Window mode (0...100%); Output function (NO/NC); Delay Time ON/OFF (0-10 sec. with Steps of 100 msec.)

Protection class: IP67

Ordering information

Article number	Adjustment range
50702010	-10°...+10°
50702045	-45°...+45°
50702085	-85°...+85°

Mechanical data

Material housing: Aluminum die-cast
Weight: 183 g

Electrical data

Electrical connection: M12x1, 8-pole
Operating voltage: 9...30 VDC
Current consumption: < 30 mA
Short-circuit / reverse polarity protection: yes / yes
Output signal: 4x PNP
Output voltage: approx. Ub -1,5 V
Max. output current: max. 500 mA each output
Output function: NO / NC (programmable)

Accuracy

Repeatability of sensor: 0,03° (typ. Bei 0°)
Resolution sensor: 0,003°
Resolution internal display: 3 digits (0,1°)
Temperature drift at 0°: 0,015°/°C for -20°...25°...60°C
Long-term stability: approx. 0,036° within 10 years (HTB-Test)

Operating conditions

Operating temperature: -25°...+80°C

Active tilting direction