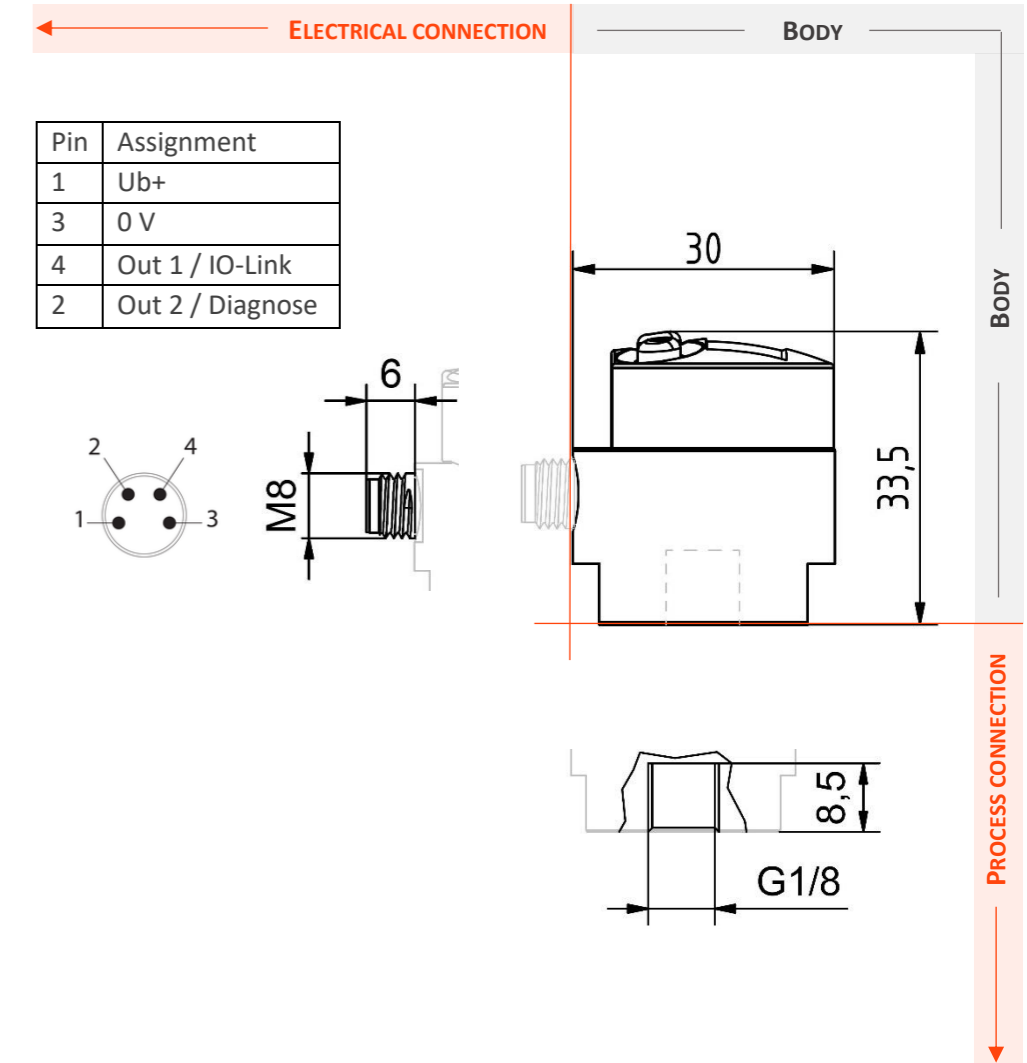


DATA SHEET | ENGLISH



General data	
Display	Digital display
Switching status display	1x LED each output
Setting options	Switch points; NO/NC; Hysteresis/Window mode; diagnostic mode; On/Off Delay; Pressure unit
Operating medium	Filtered, dry or oiled air and non-corrosive gases
Protection class	IP65
MTTF (40°C)	319 years
Ordering information	
1 - 06 - <u>XX XX</u> - <u>XX</u> 3 <u>X XX</u>	
<u>Process connection</u>	<u>Firmware</u>
G1/8" inside 08	Standard 00
	Customized >00
<u>Electrical Connection</u>	<u>Pressure range</u>
M8 01	-1...0 1
	-1...1 2
	-1...10 3
<u>Output signal</u>	0...10 4
2x PNP 03	0...12 5
2x NPN on request	

Mechanical data	
Material housing	Anodized aluminum / Plastic ABS
Process connection	G1/8" inside
Material process connection	Anodized aluminum
Mounting position	Any (port downwards when using oiled air)
Weight	32 g
Electrical data	
Electrical connection	M8x1, 4-pole; M12x1, 4-pole
Operating voltage	10,8...30 VDC
Current consumption	< 15 mA / < 3 mA power saving mode
Short-circuit / reverse polarity protection	yes / yes
Output	
Output signal	2x PNP (IO-Link is optionally available); 2x NPN (only without IO-Link)
Max. output current	max. 250 mA each output
Output function	NO / NC (programmable)
Operating frequency	200 Hz
Response time	< 2,8 ms
Accuracy	± 2% FS
Pressure range	
Measuring range (bar)	-1...0 -1...1 -1...10 0...10 0...12
max. overpressure (bar)*	2 15
IO-Link	
IO-Link specification	Version 1.1
Frame type	2.2
Transmission physics	3-conductor physics (PHY2)
Transmission rate	COM 2 / 38,4 Kbit/s
Process data width	24 bit
Measurement information	16 bit
Switch point information	2 bit
Max. cycle time	5 msec



Operating conditions	
Operating temperature	Operation: -10°...+60°C Storage: -20°...+85°C
EMC / interference immunity	EN61000-6-2
EMC / interference emission	EN61000-6-4

*overpressure not continuously allowed