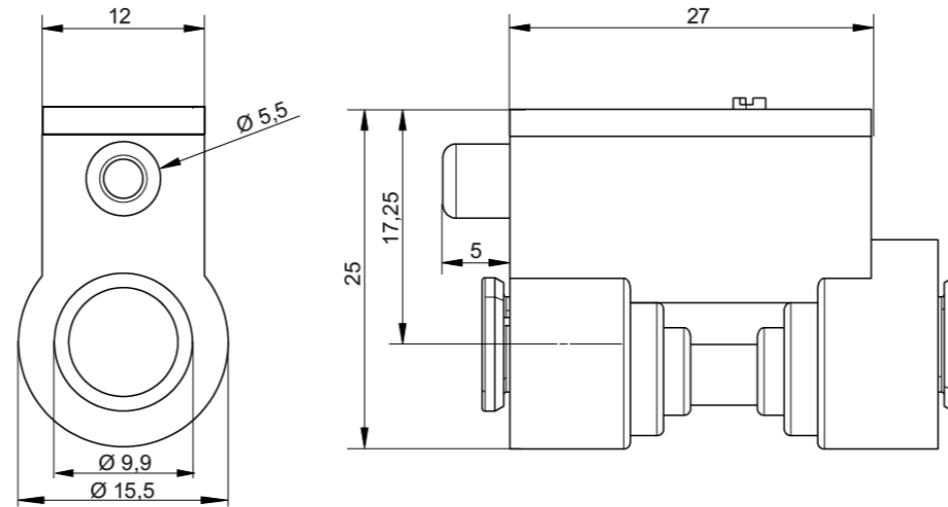


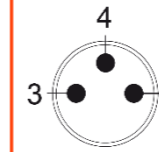
DATA SHEET | ENGLISH



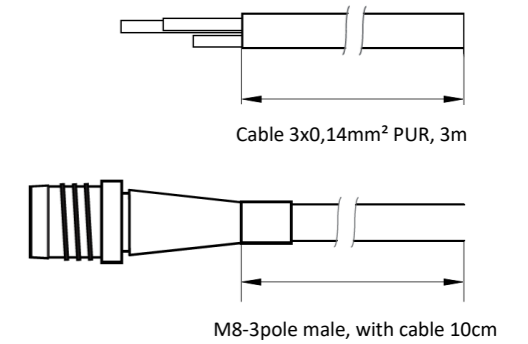
**DRAWING [mm]**



**ELECTRICAL CONNECTION**



Pin	Wire	Assignment
1	brown	Ub+
3	blue	0 V
4	black	Out



**General data**

Display	Green LED: Operation display Red LED: Switching display
Setting options	Switch point via potentiometer
Operating medium	Filtered, dry or oiled air and non-corrosive gases
Protection class	IP40

**Ordering information**

1 - 08 - 07 XX - 01 XX 00

Electrical connection

3 m cable	04
M8 3-pole + 10 cm cable	05

Pressure range

bar	psi	
-1...0	-14.5...0	1
-1...1	-14.5...14.5	2

Output signal

NO	1
NC	2

**Mechanical data**

Material housing	Plastic PC
Process connection	Push-in 6 mm
Mounting position	Any (port downwards when using oiled air)
Weight	15 g (with M8 3-pole + 10 cm cable) 45 g (with 3 m cable)

**Electrical data**

Electrical connection	3 m cable with open ended wires; 10 cm cable with M8 3-pole
Operating voltage	9...30 VDC
Current consumption	< 20 mA
Short-circuit / reverse polarity protection	yes / yes

**Output**

Output signal	1x PNP (NPN on request)
Max. output current	max. 100 mA
Output voltage	approx. Ub -1.5 V
Output function	NO; NC
Switch point	Adjustment potentiometer 100%
Switching hysteresis	approx. 5% FS
Repeatability	± 3% FS

**Pressure range**

Measuring range (bar) (psi)	-1...0 -14.5...0	-1...1 -14.5...14.5
max. overpressure* (bar) (psi)	2 29	

**Operating conditions**

Operating temperature	Operation: -10°...+60°C Storage: -20°...+85°C
EMC / interference immunity	EN61000-6-2
EMC / interference emission	EN61000-6-4

\*overpressure not continuously allowed