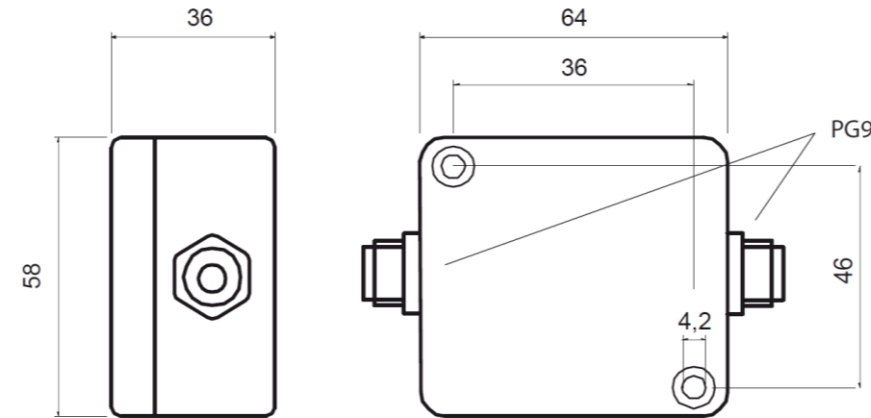
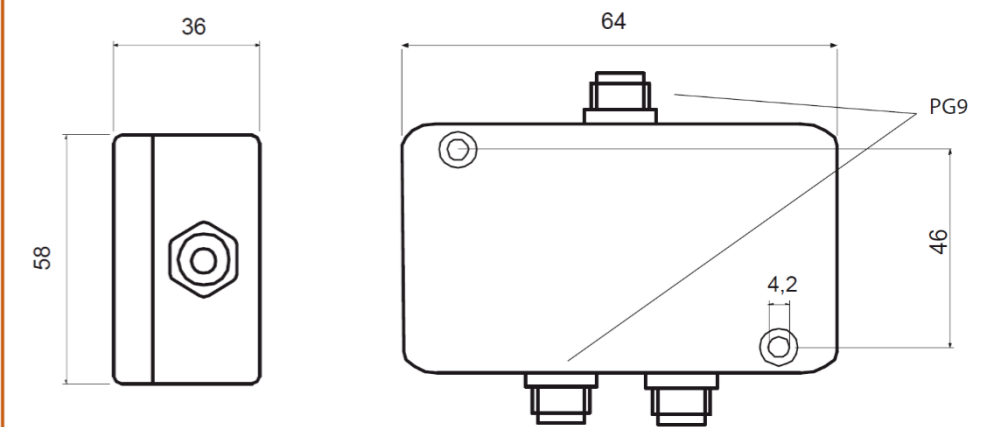




DIMENSION DRAWING RB-2-2



DIMENSION DRAWING RB-4-4



General data

Protection class IP65

Ordering information

Article number	Type	Description	Weight
50100902	RB-2-2	2x relay, SPDT, 250 VAC, 5A	212 g
50100904	RB-4-4	4x relay, SPDT, 250 VAC, 5A	354 g

Mechanical data

Material housing Aluminum die-cast
 Electrical connection Push-in terminals

Electrical data

Operating voltage 9...30 VDC
 Input 2xPNP; 4xPNP
 Output 2x relay; 4x relay
 max. voltage relay output 250 VAC
 max. current relay output 5 A

ELECTRICAL CONNECTION

Terminal allocation			
Version RB-2-2	Function	Version RB-4-4	Function
24 V (2x)	Ub+	24 V (2x)	Ub+
GND (2x)	Ub-	GND (2x)	Ub-
IN1	Input Sensor 1	IN1	Input Sensor 1
IN2	Input Sensor 2	IN2	Input Sensor 2
		IN3	Input Sensor 3
		IN4	Input Sensor 4
M1	Connect Relais 1	M1	Connect Relais 1
NO1	NO Relais 1	NO1	NO Relais 1
NC1	NC Relais 1	NC1	NC Relais 1
M2	Connect Relais 2	M2	Connect Relais 2
NO2	NO Relais 2	NO2	NO Relais 2
NC2	NC Relais 2	NC2	NC Relais 2
		M3	Connect Relais 3
		NO3	NO Relais 3
		NC3	NC Relais 3
		M4	Connect Relais 4
		NO4	NO Relais 4
		NC4	NC Relais 4