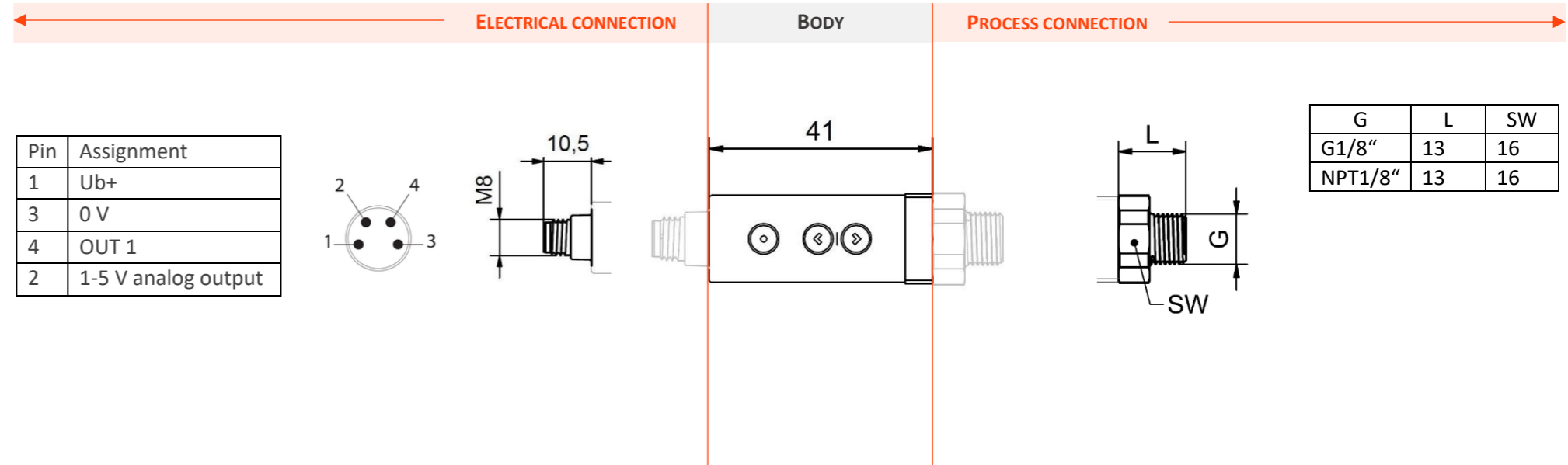


DATA SHEET | ENGLISH



General data			
Display	LED operation and switching display		
Setting options	Switch point; NO/NC; Hysteresis mode (0...100%)		
Operating medium	Filtered, dry or oiled air and non-corrosive gases		
Protection class	IP65		
Ordering information			
1 - 05 - <u>XX</u> 01 - <u>XX</u> 3 X <u>XX</u>			
<u>Process connection</u>		<u>Firmware</u>	
G1/8"	02	Standard	00
NPT1/8"	04	Customized	>00
<u>Output signal</u>		<u>Pressure range</u>	
1x PNP + 1x analog 1-5 V	05	-1...0	1
1x NPN + 1x analog 1-5 V	on request	-1...1	2
		-1...10	3
		0...10	4
		0...12	5

Electrical data	
Electrical connection	M8x1, 4-pole
Operating voltage	10,8...30 VDC
Current consumption	< 30 mA
Short-circuit / reverse polarity protection	yes / yes
Output	
Output signal	1x PNP + 1x analog 1-5 V; 1x NPN + 1x analog 1-5 V approx. Ub -1,5 V
Output voltage	max. 250 mA each output
Max. output current	NO / NC (programmable)
Output function	400 Hz
Operating frequency	< 2,5 ms
Response time	± 2% FS
Accuracy	± 0,2% FS
Repeatability	1...5 V
Analog output	

Mechanical data	
Material housing	Plastic PC
Process connection	G1/8"; NPT1/8"
Material process connection	Brass nickel-plated
Mounting position	Any (port downwards when using oiled air)
Weight	Ca. 20 g
Pressure range	
Measuring range (bar)	-1...0   -1...10
max. overpressure (bar)*	2   15
Operating conditions	
Operating temperature	Operation: -10°...+60°C Storage: -20°...+85°C
EMC / interference immunity	EN61000-6-2
EMC / interference emission	EN61000-6-4

\*overpressure not continuously allowed